

1 2 3 4 5 6 7 8

A

A

B

B

C

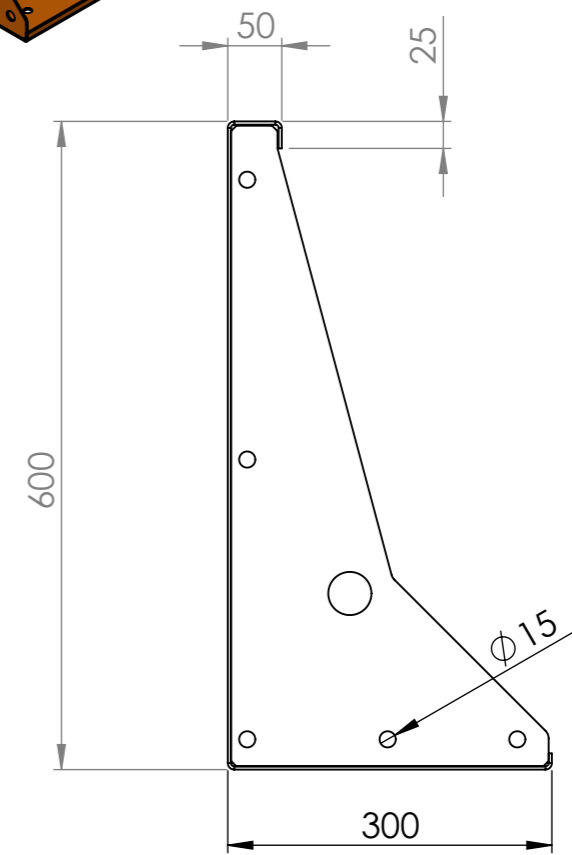
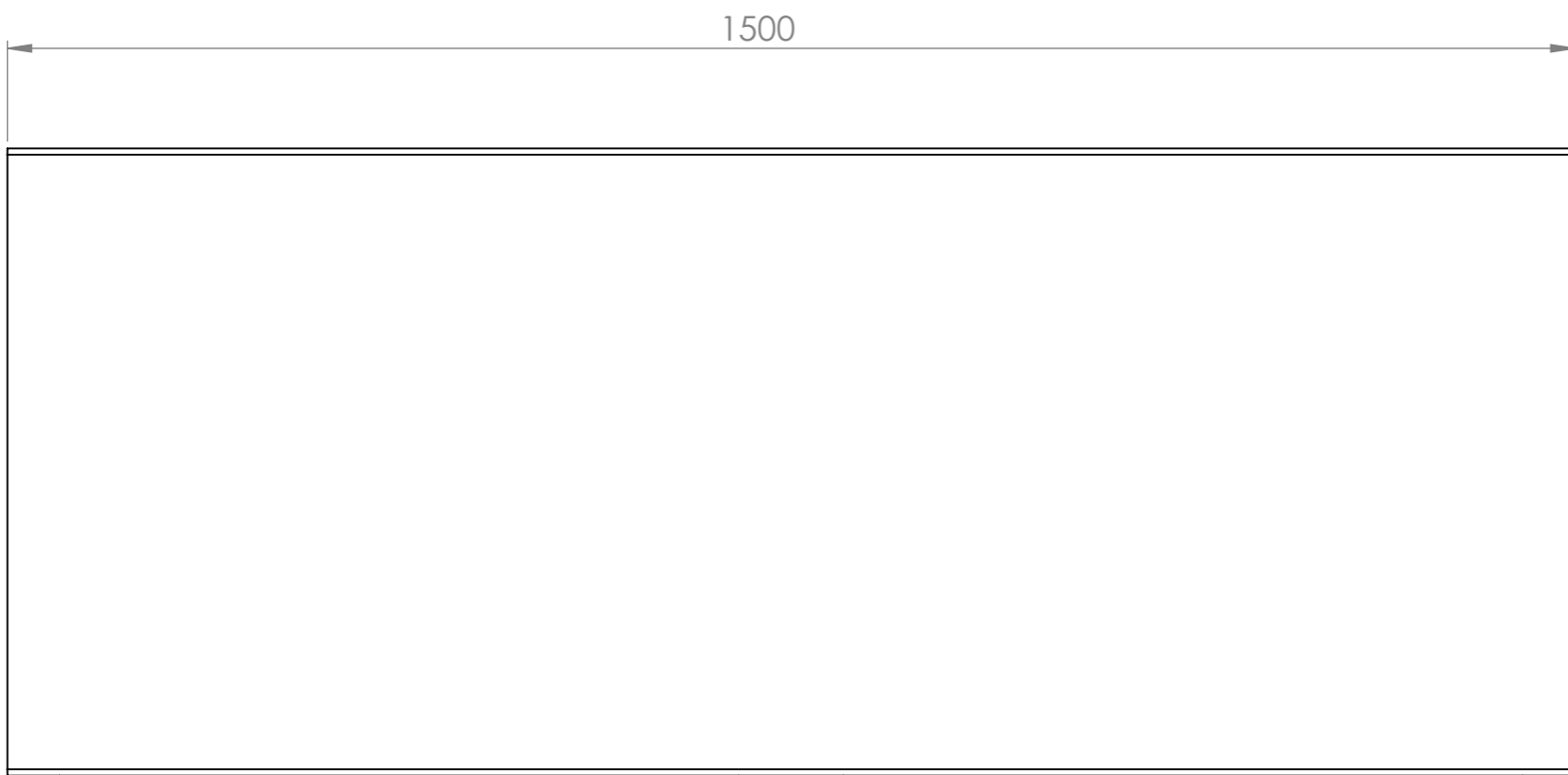
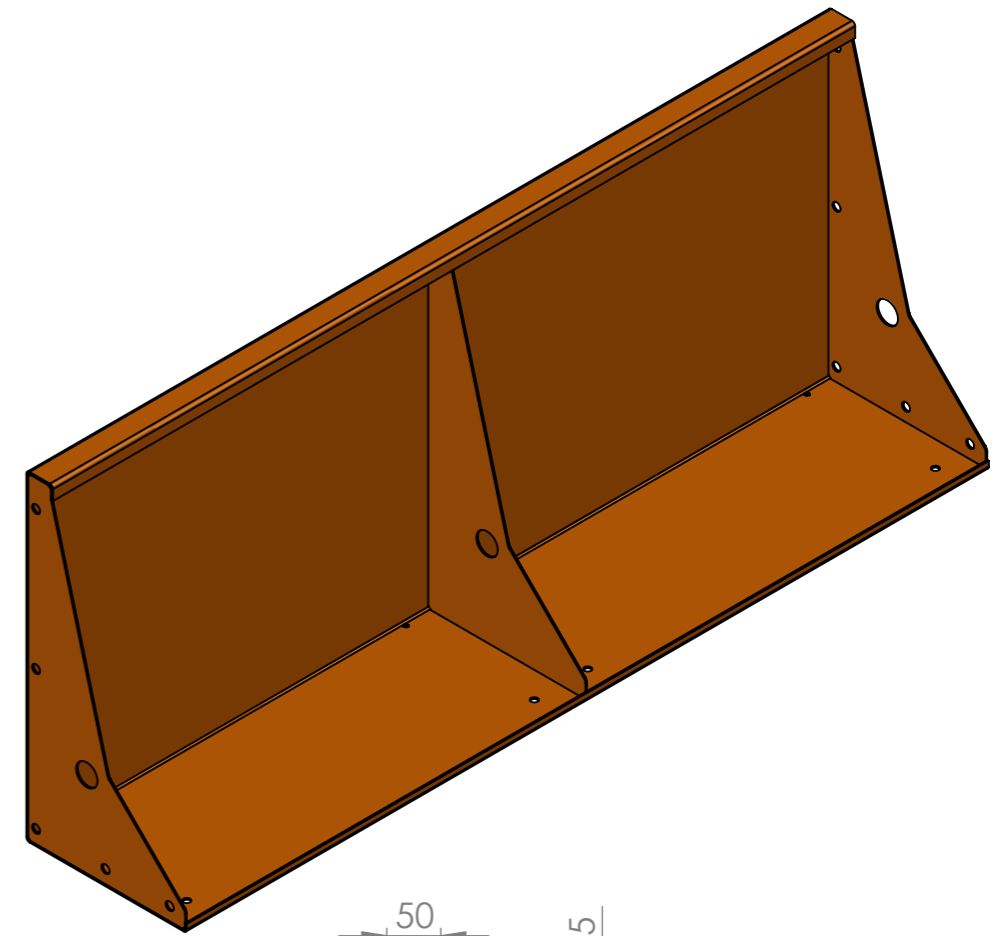
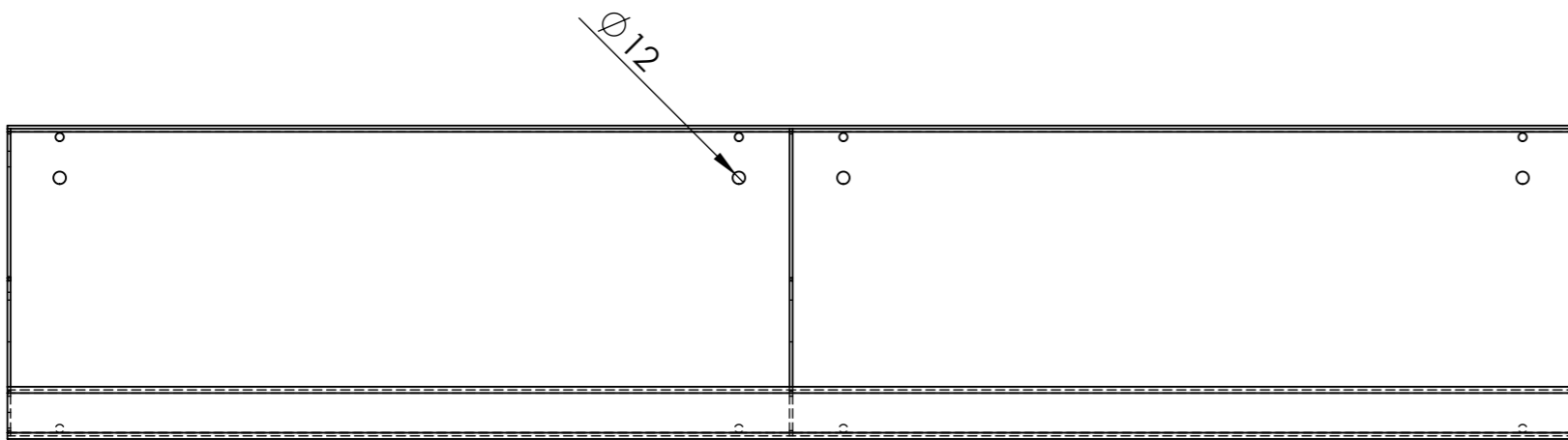
C

D

D

E

F



DRAWN	Luuk van den Heuvel	DATE	21-11-2019
REVISION			



TITLE:	3mm Corten	
--------	------------	--



Liessentstraat 4, 5405 AG Uden (NL).  
 † 0031 (0)413 - 27 41 68.  
 e info@adezz.com, i www.adezz.com

Drawing:	CRS3_600_1500	A3
----------	---------------	----

Color:	-	Mass (kg):	39.01	SCALE:1:7	SHEET 1 OF 5
--------	---	------------	-------	-----------	--------------

1 2 3 4